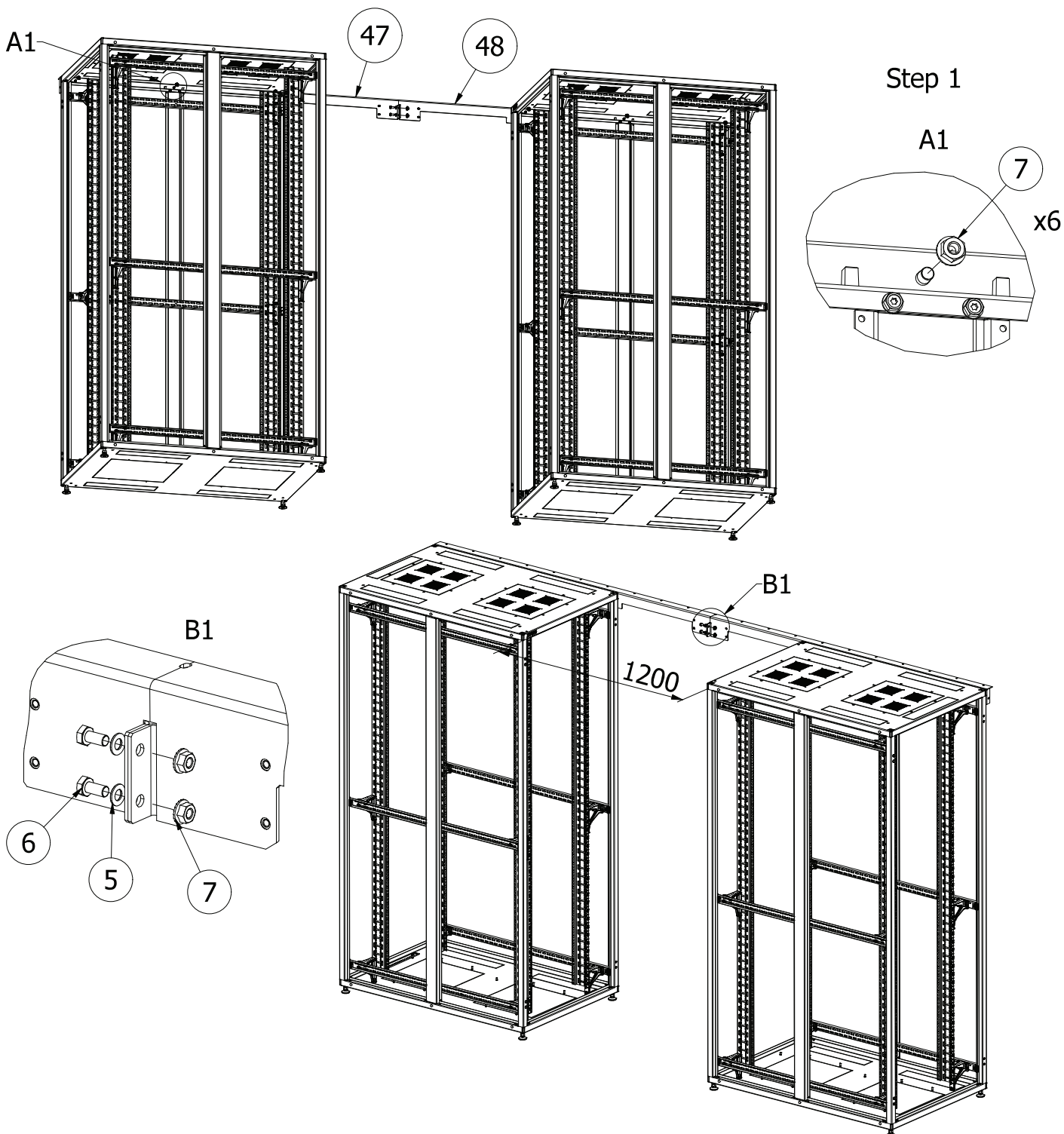
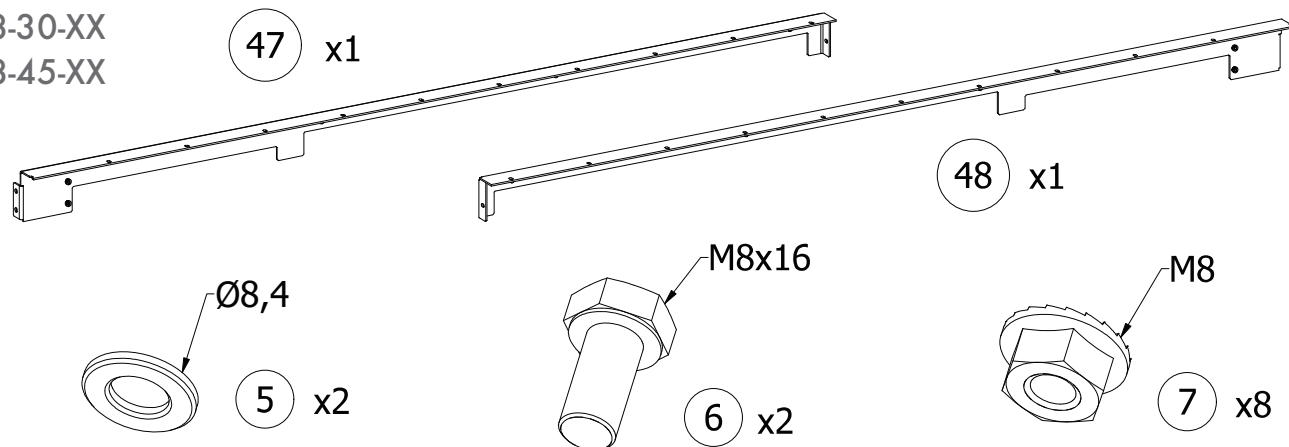
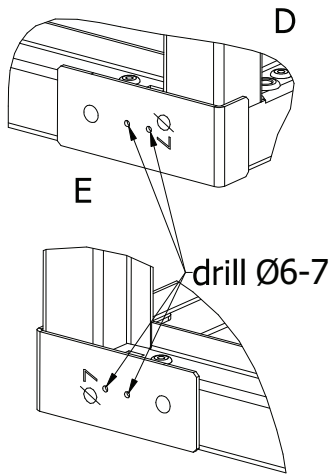
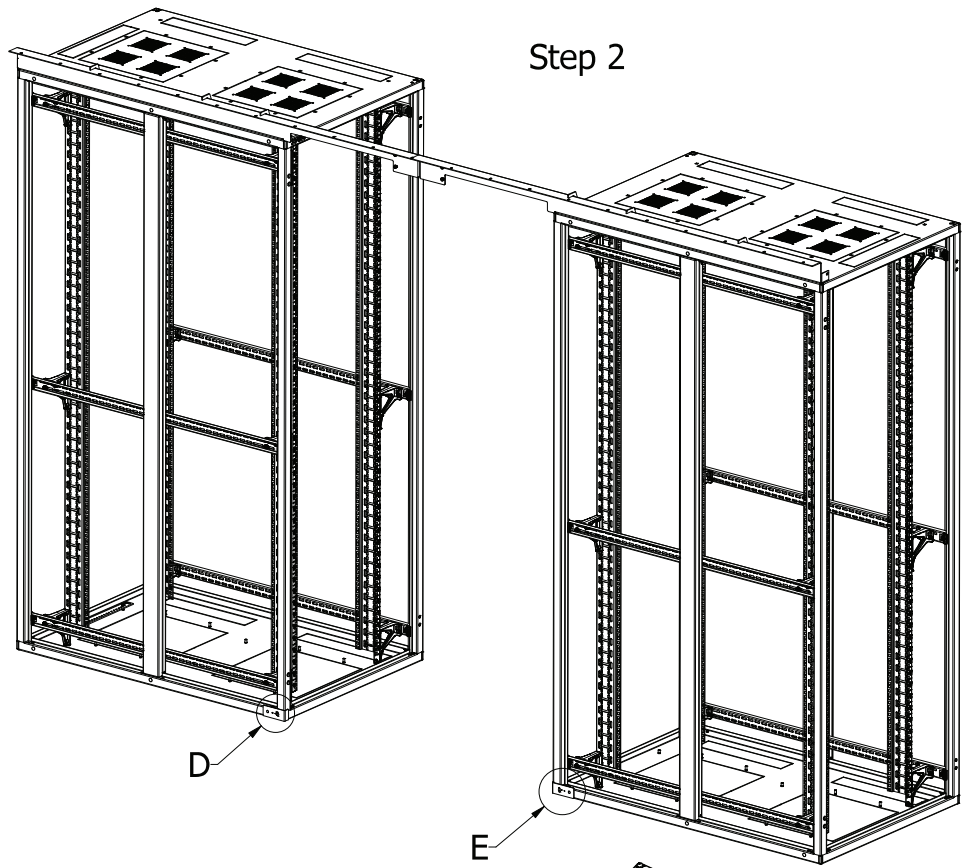


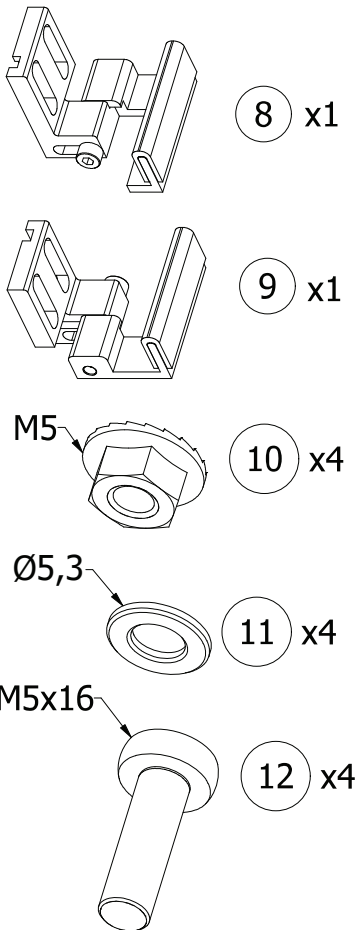
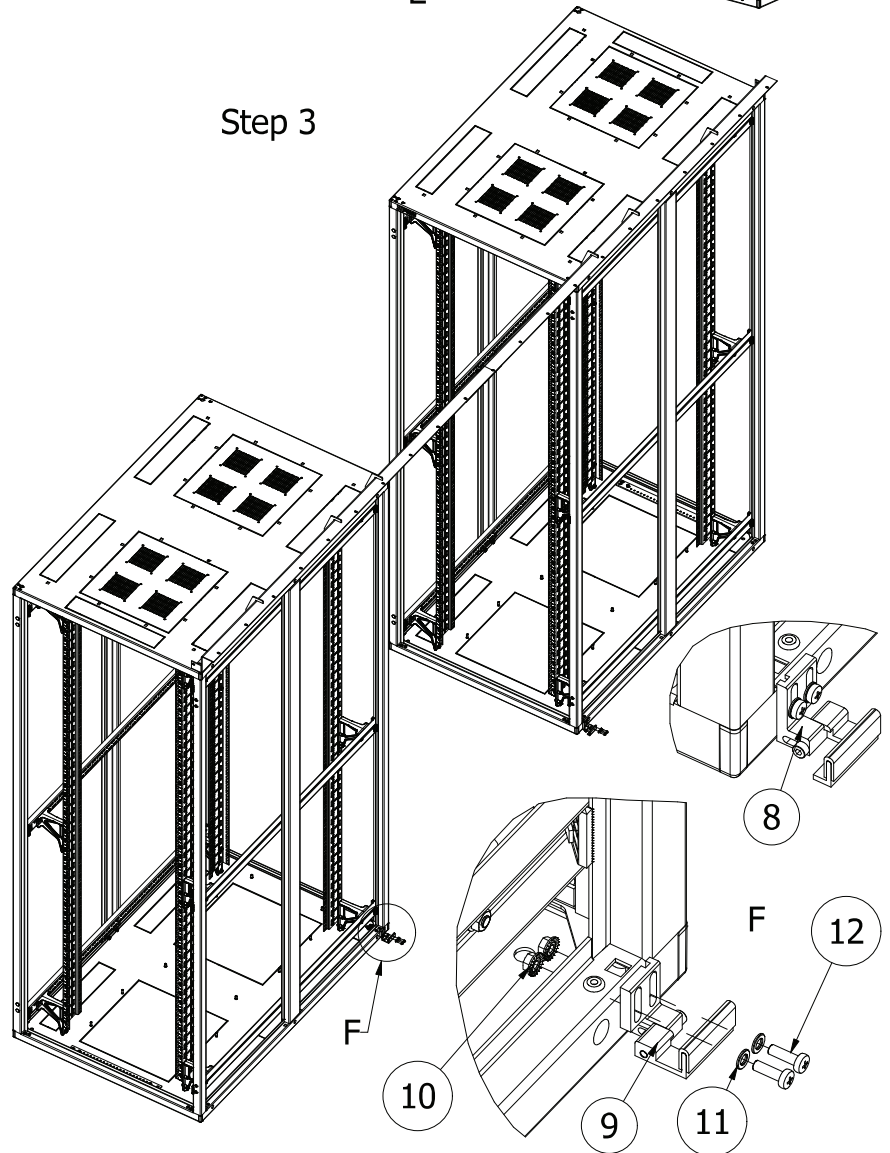
8848-30-XX
8848-45-XX



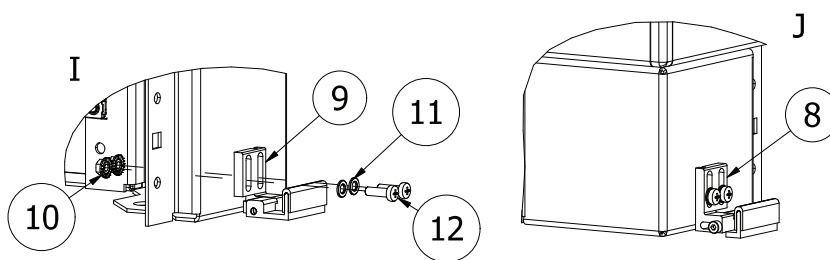
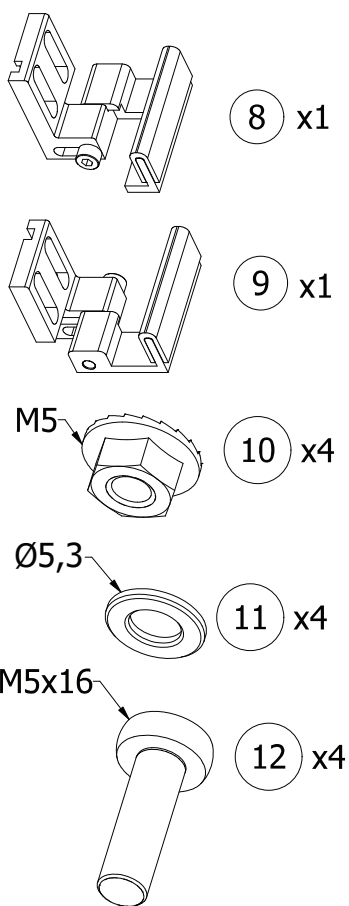
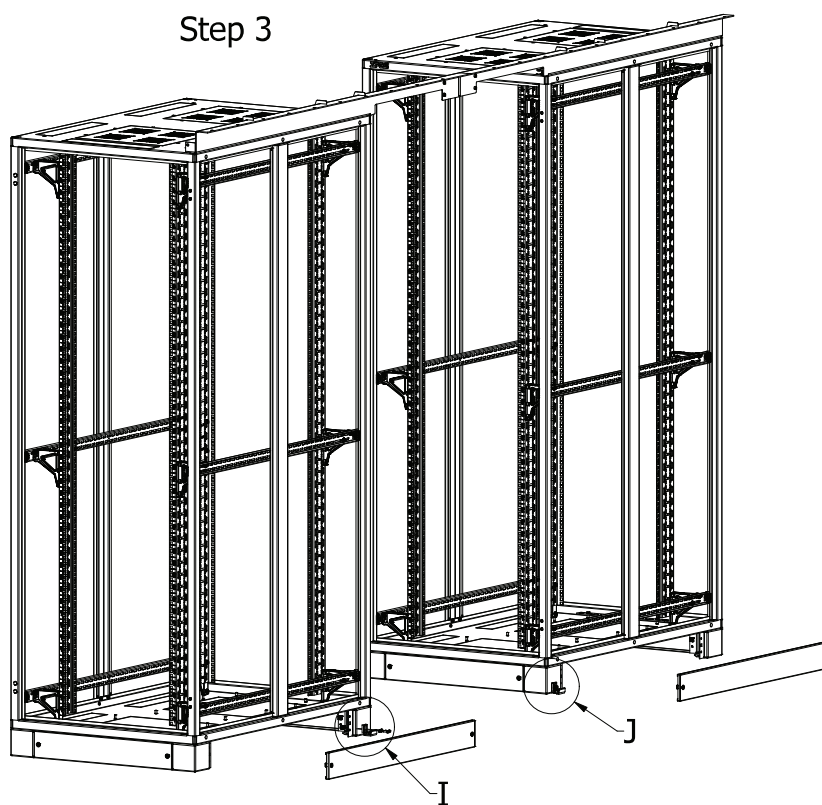
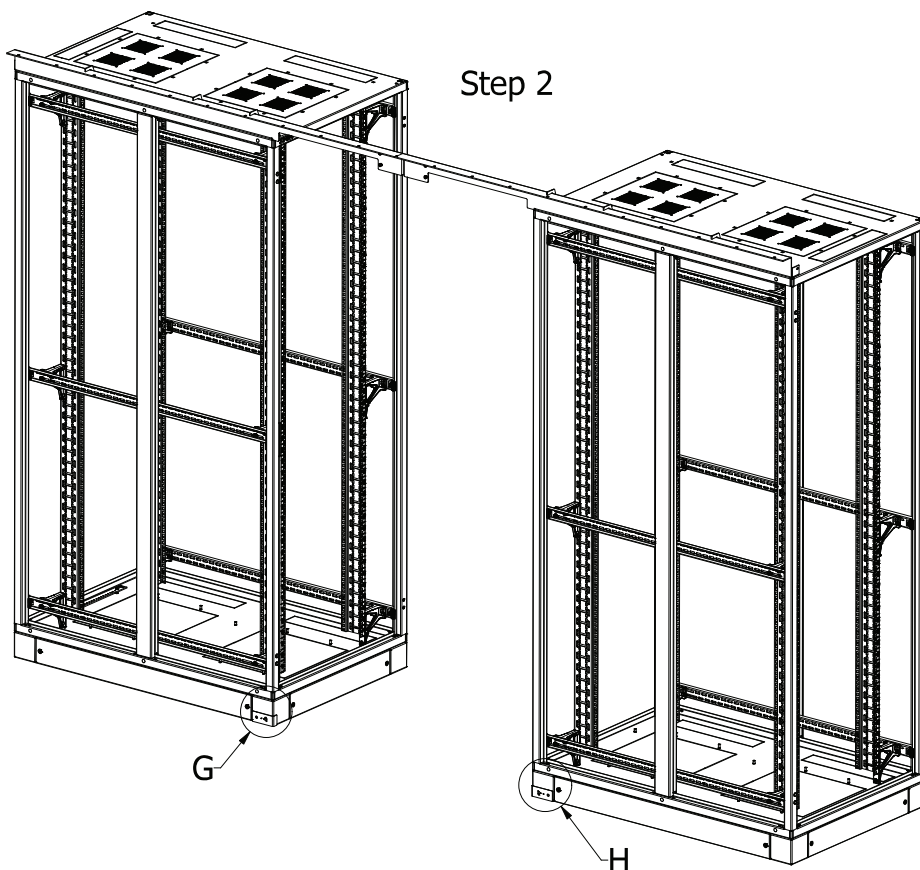
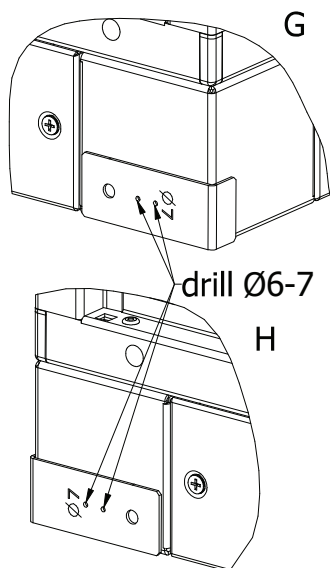
- 8848-01-01
- 8848-01-02
- 8848-01-03
- 8848-20-01
- 8848-20-02
- 8848-20-03
- 8848-30-01
- 8848-30-02
- 8848-30-03
- 8848-45-01
- 8848-45-01
- 8848-45-01



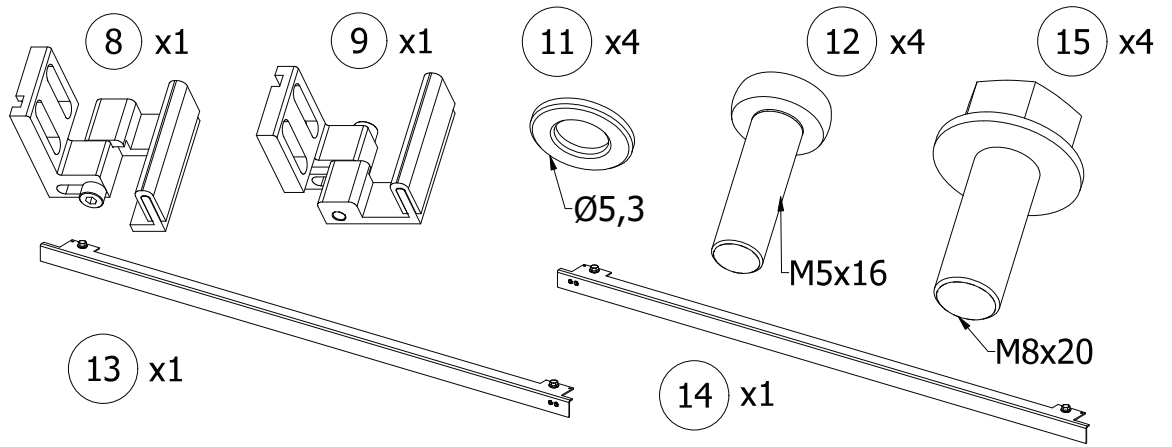
Step 3



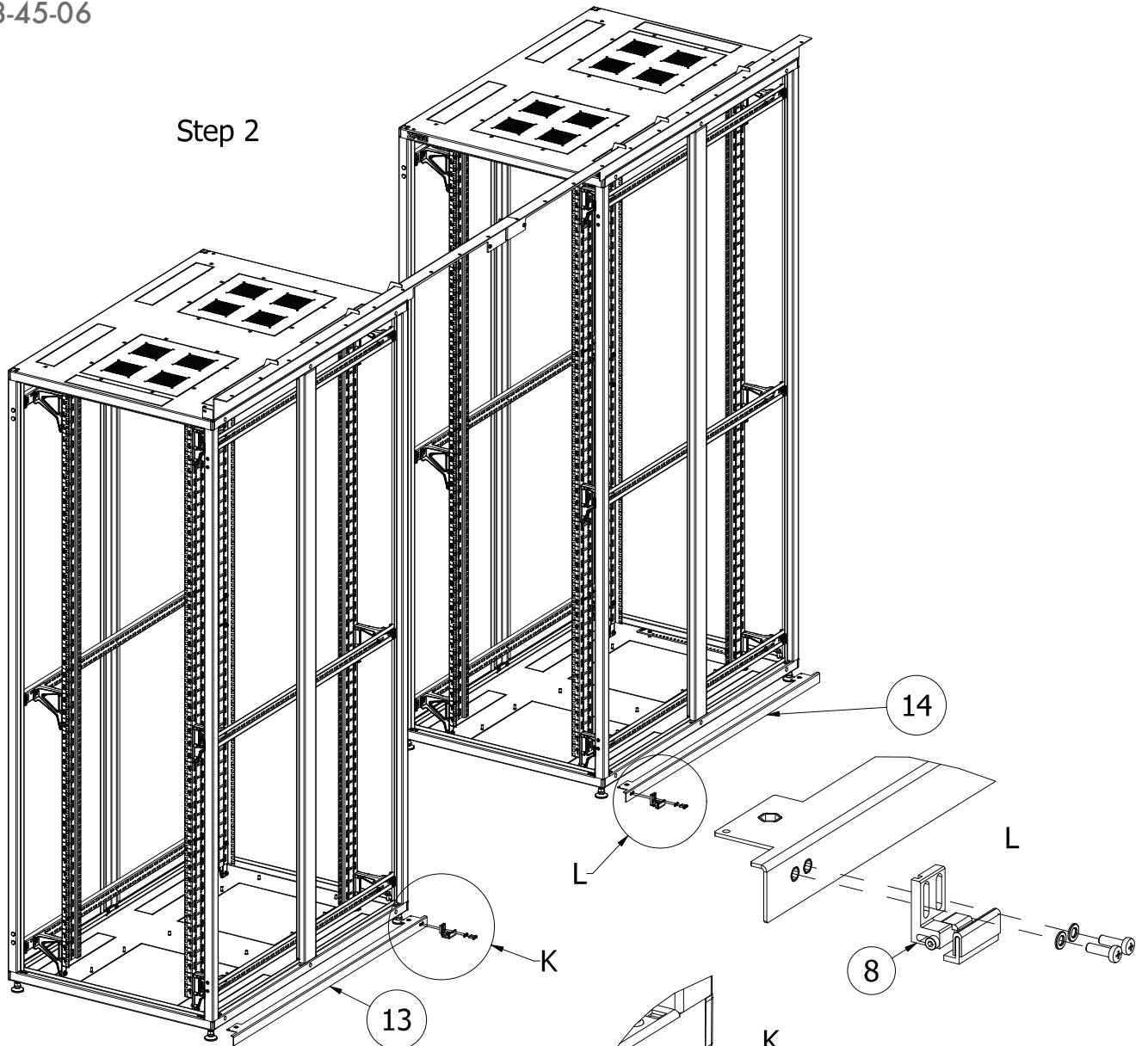
8848-01-07
 8848-01-08
 8848-01-09
 8848-20-07
 8848-20-08
 8848-20-09
 8848-30-07
 8848-30-08
 8848-30-09
 8848-45-07
 8848-45-08
 8848-45-09



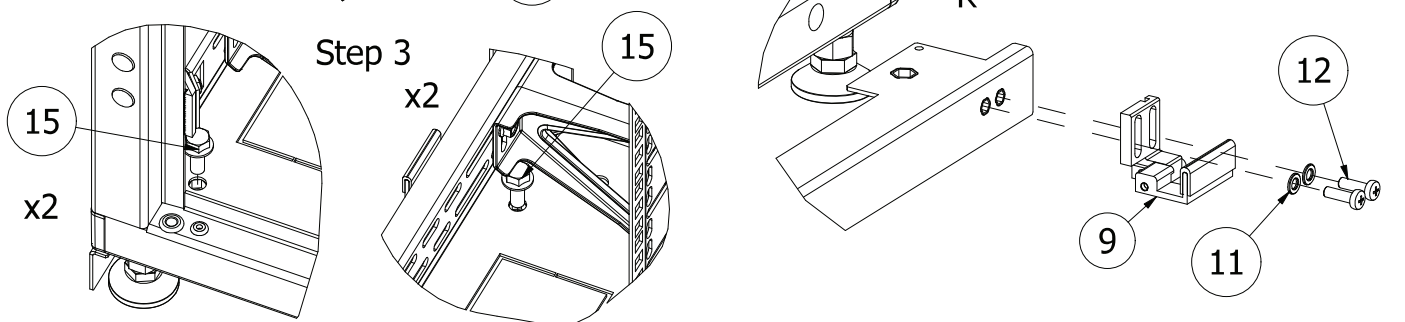
8848-01-04
 8848-01-05
 8848-01-06
 8848-20-04
 8848-20-05
 8848-20-06
 8848-30-04
 8848-30-05
 8848-30-06
 8848-45-04
 8848-45-05
 8848-45-06



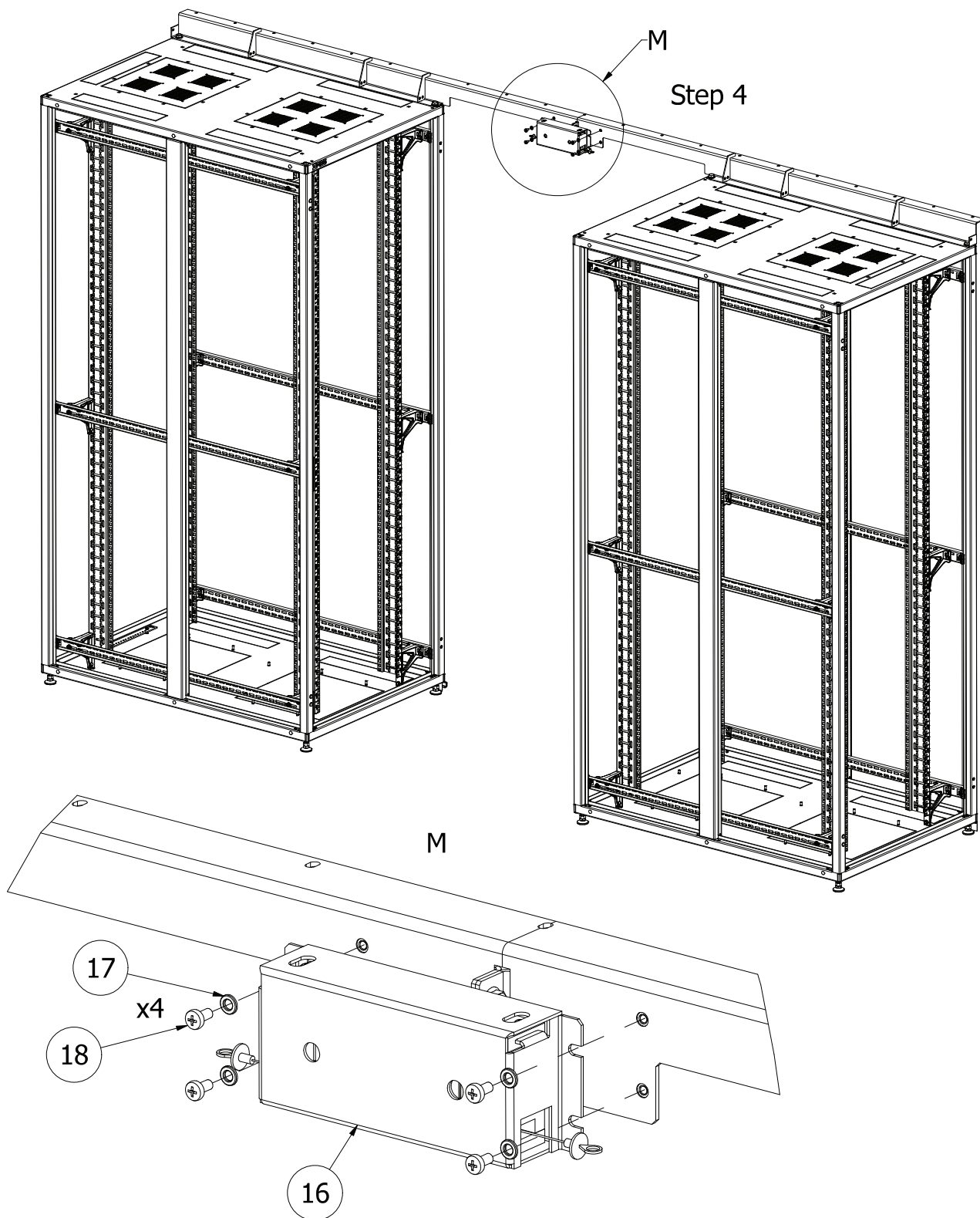
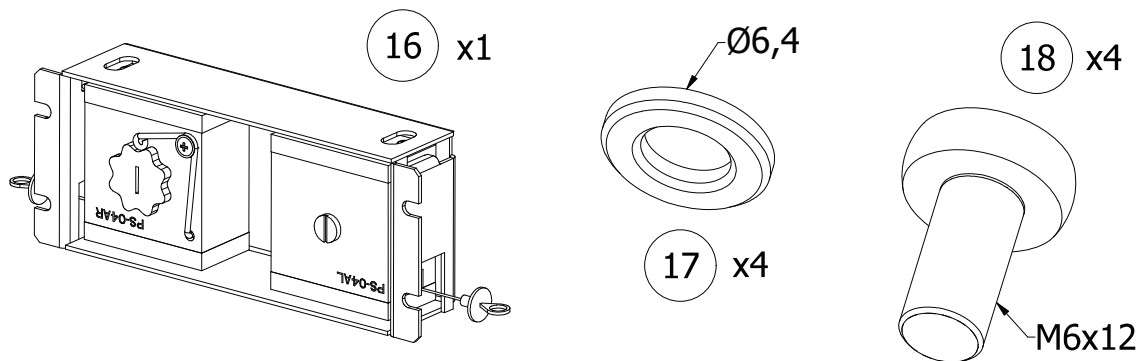
Step 2

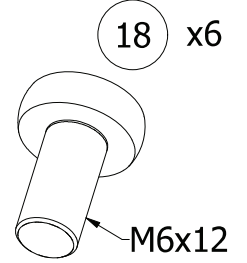
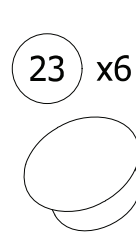
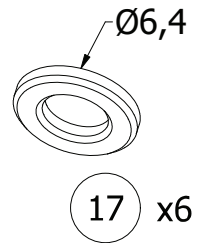
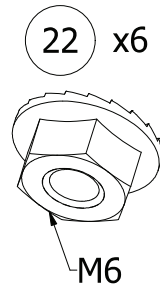
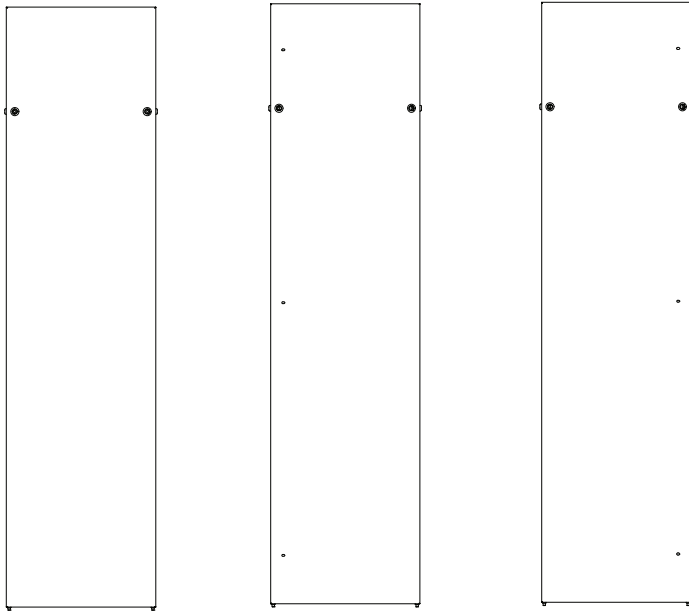


Step 3



8848-01-XX
8848-20-XX
8848-30-XX
8848-45-XX



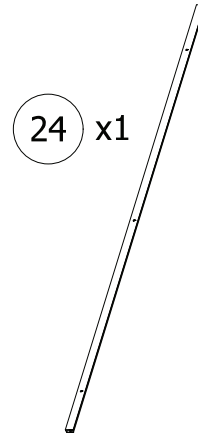
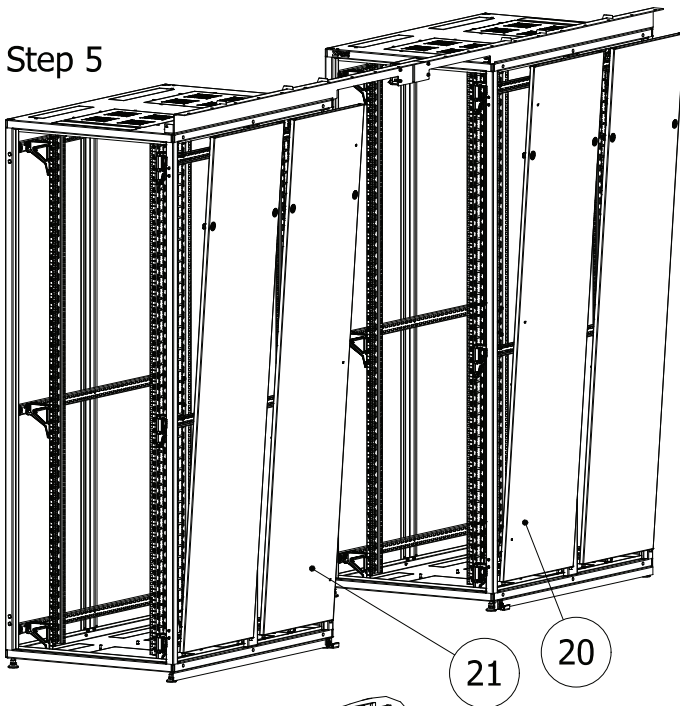


19	8848-01-XX	x2
	8848-45-XX	
	8848-20-XX	-
	8848-30-XX	-

20 x1

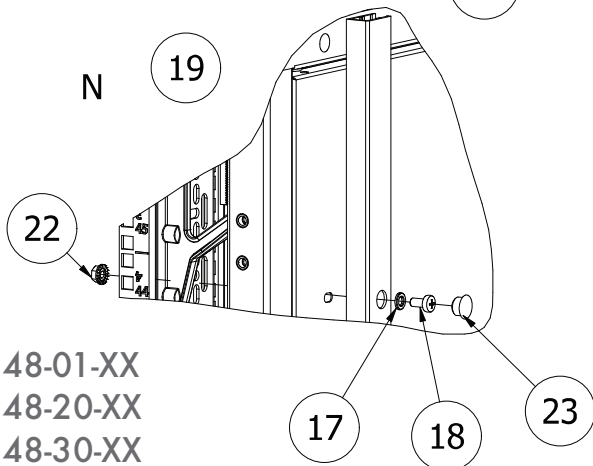
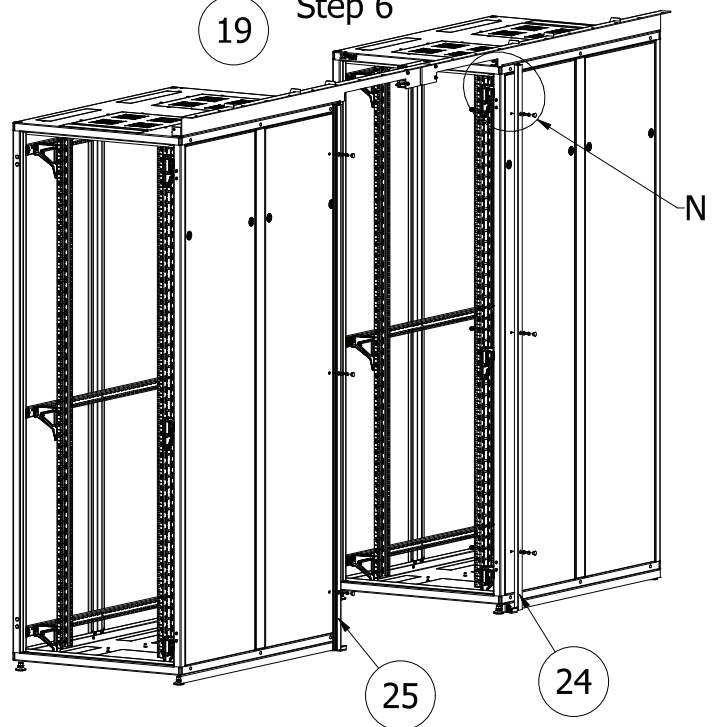
21 x1

Step 5



25 x1

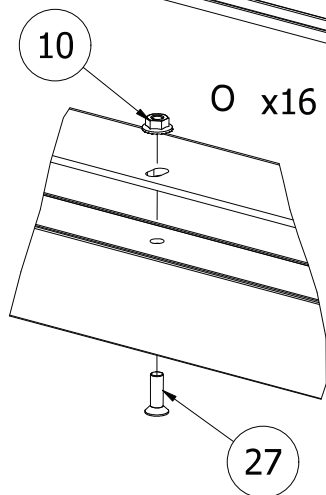
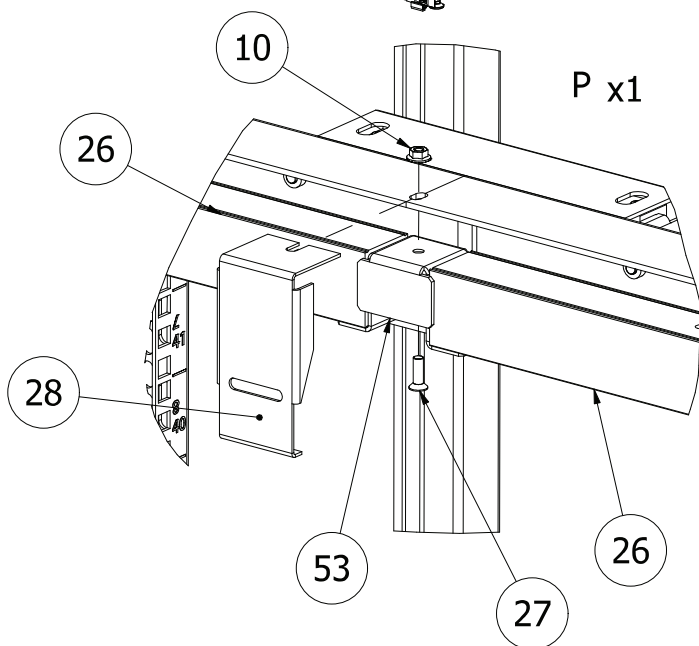
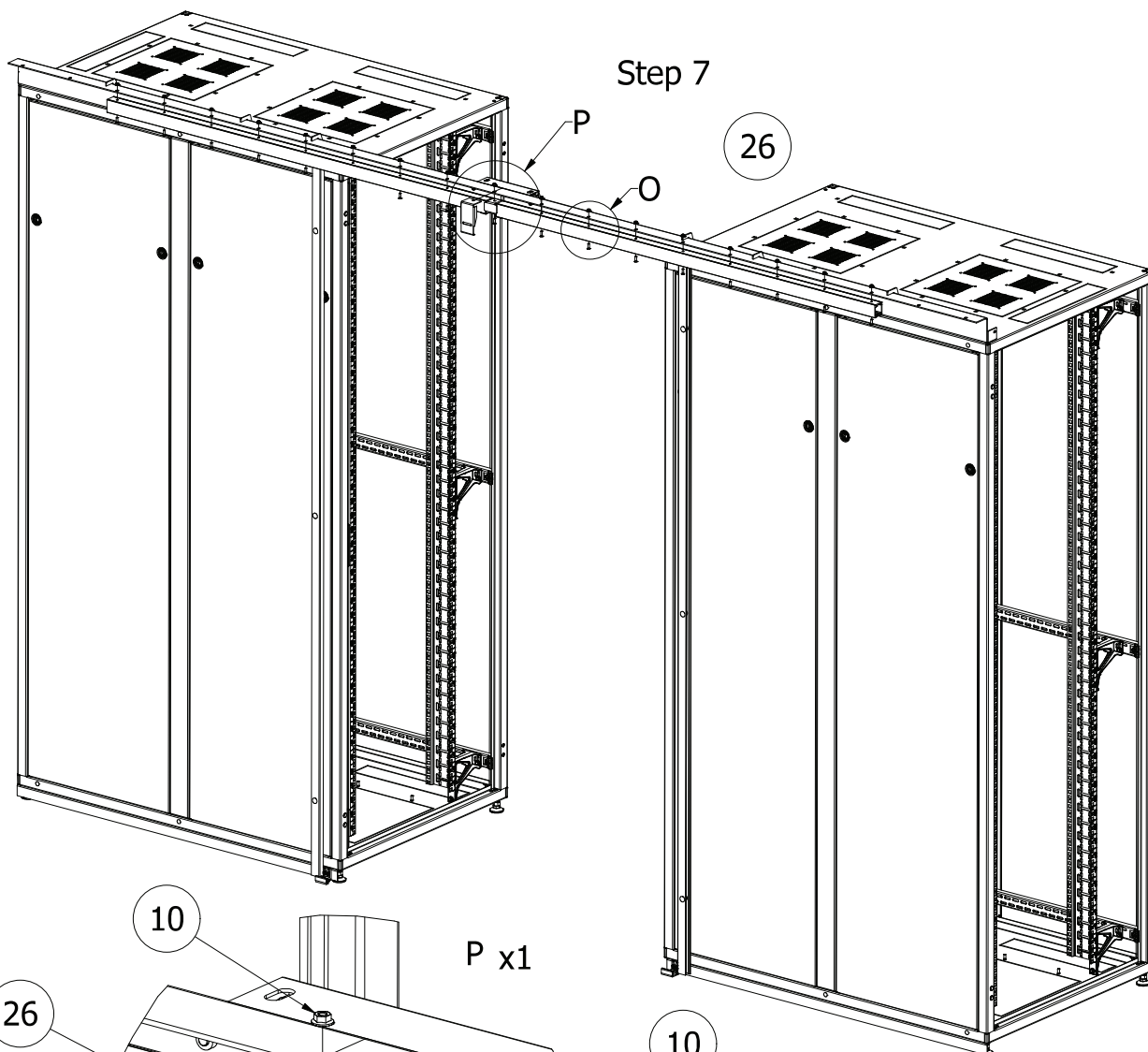
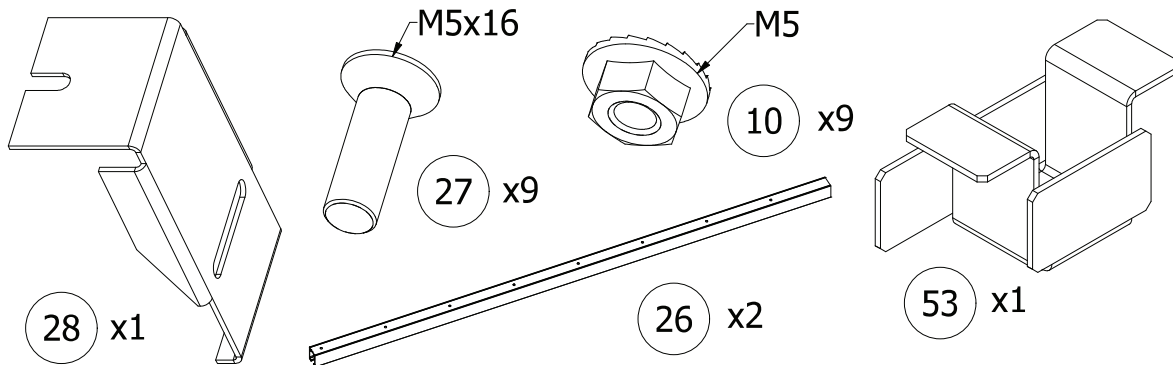
Step 6



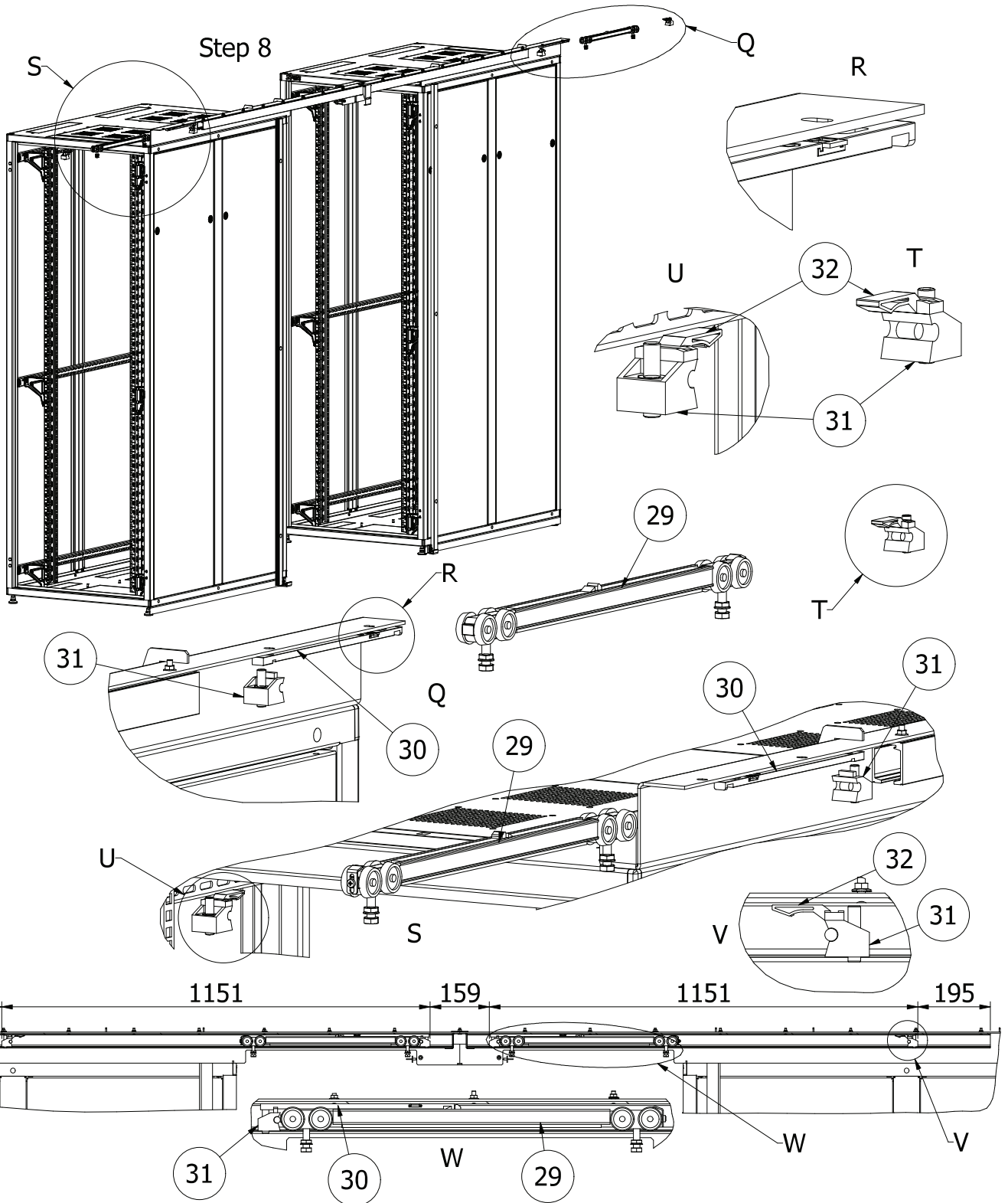
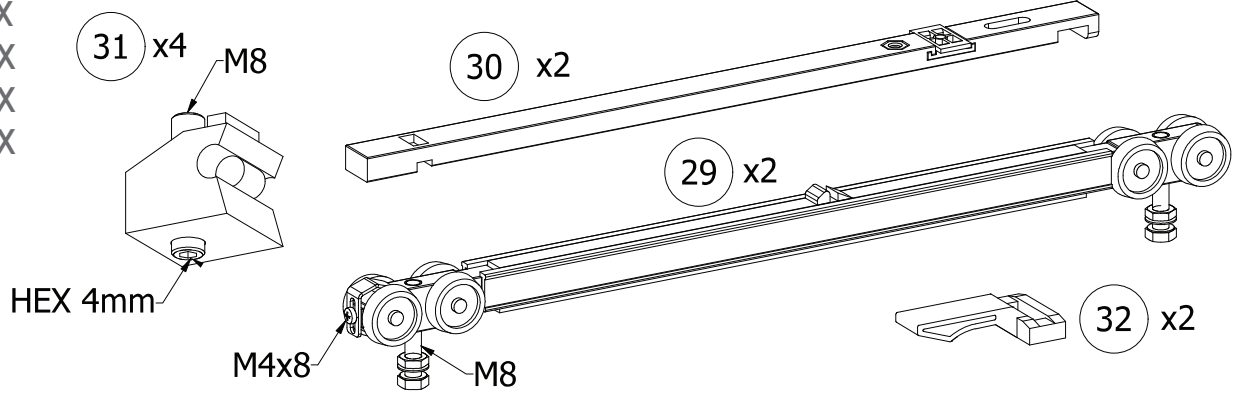
8848-01-XX
8848-20-XX
8848-30-XX
8848-45-XX



8848-01-XX
8848-20-XX
8848-30-XX
8848-45-XX

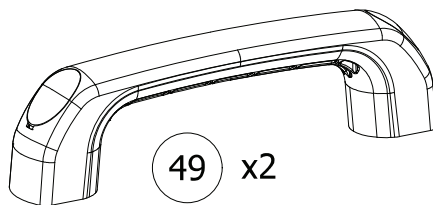
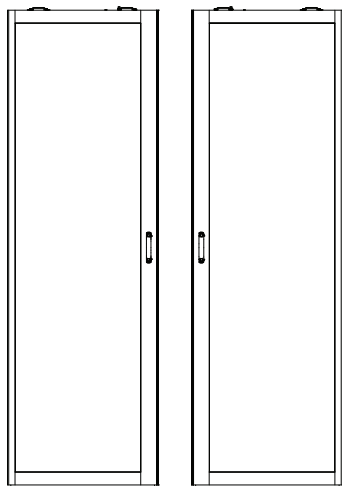


8848-01-XX
 8848-20-XX
 8848-30-XX
 8848-45-XX

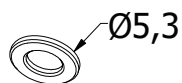


8848-01-XX
8848-20-XX
8848-30-XX
8848-45-XX

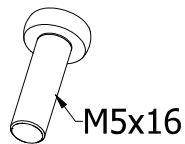
33 x1 34 x1



49 x2

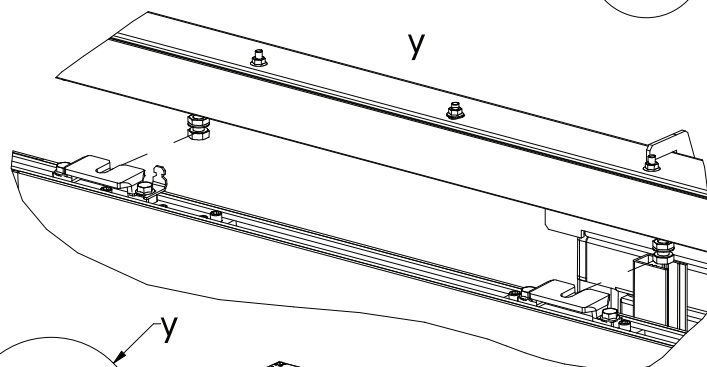
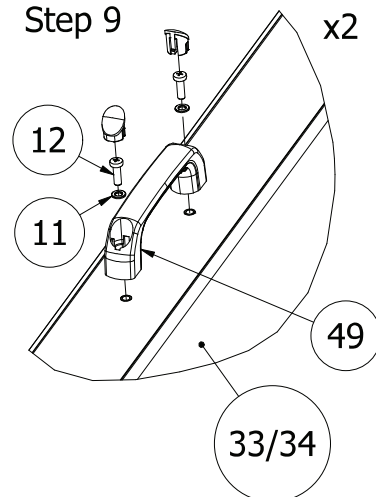


11 x4

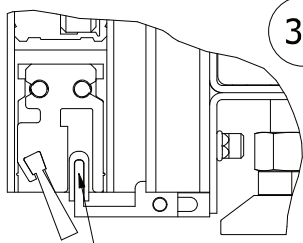
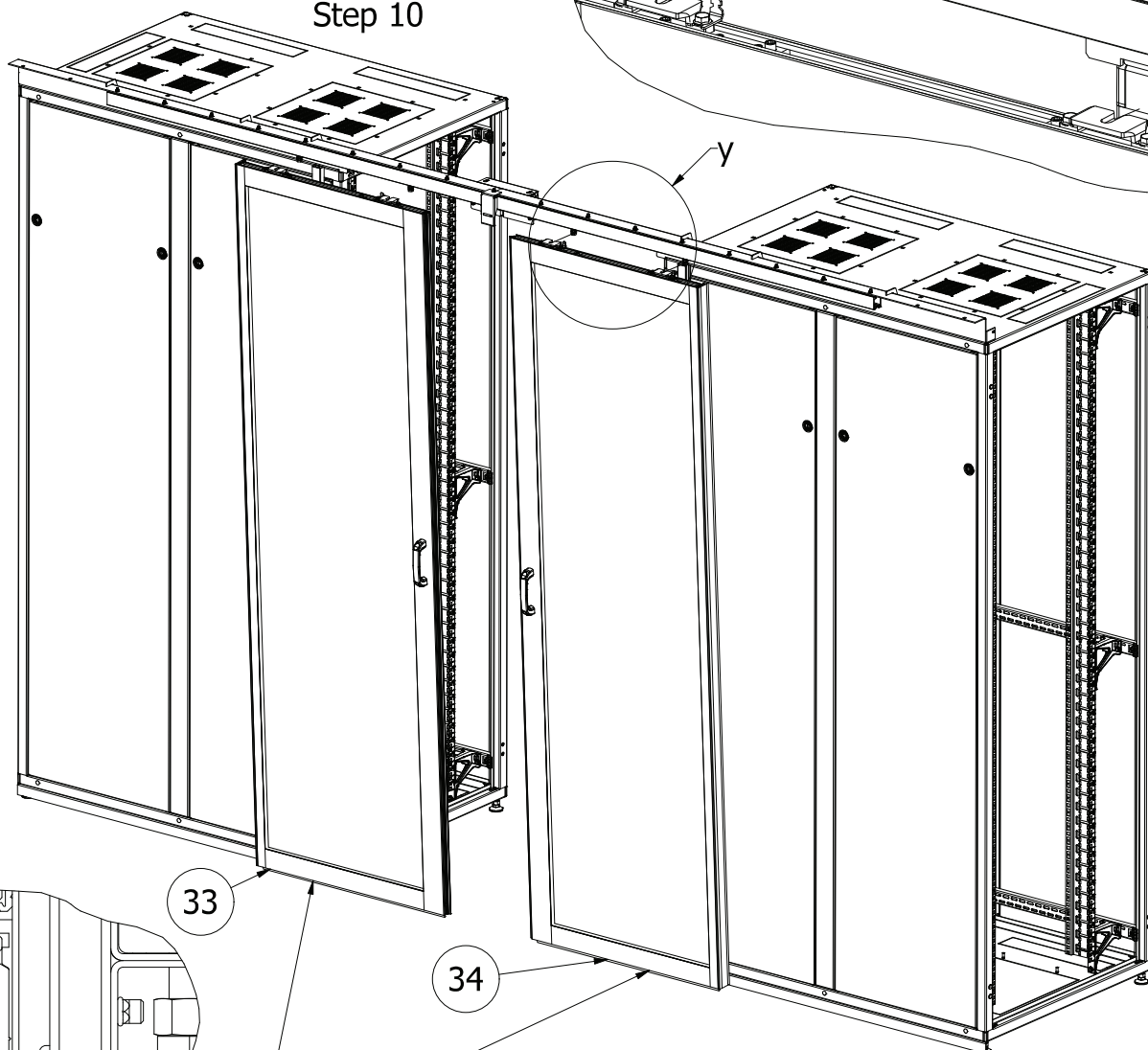


12 x4

Step 9 x2

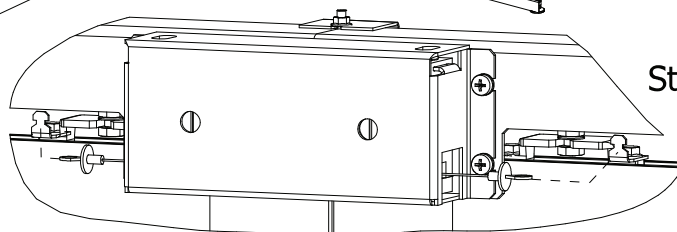


Step 10



33

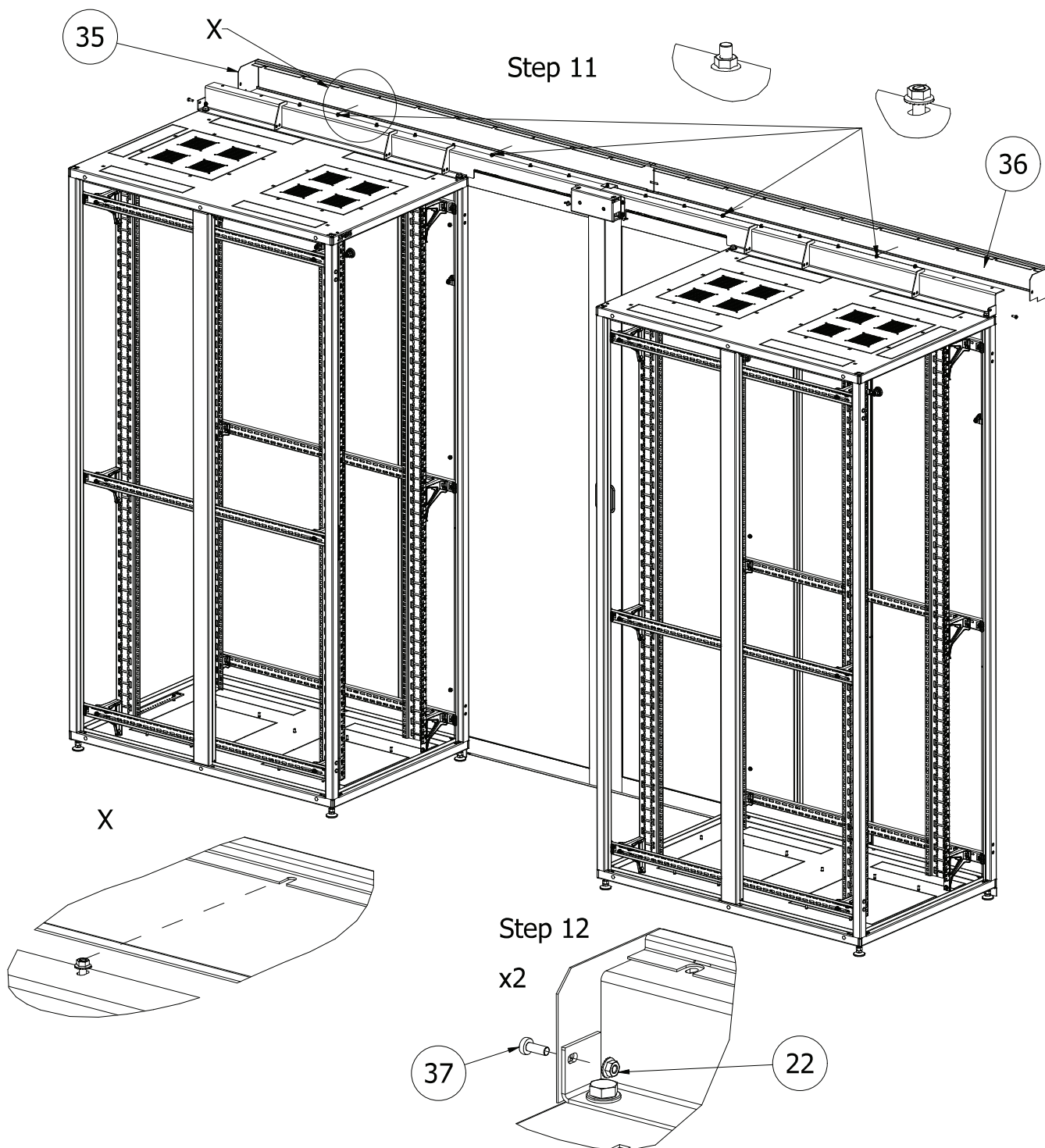
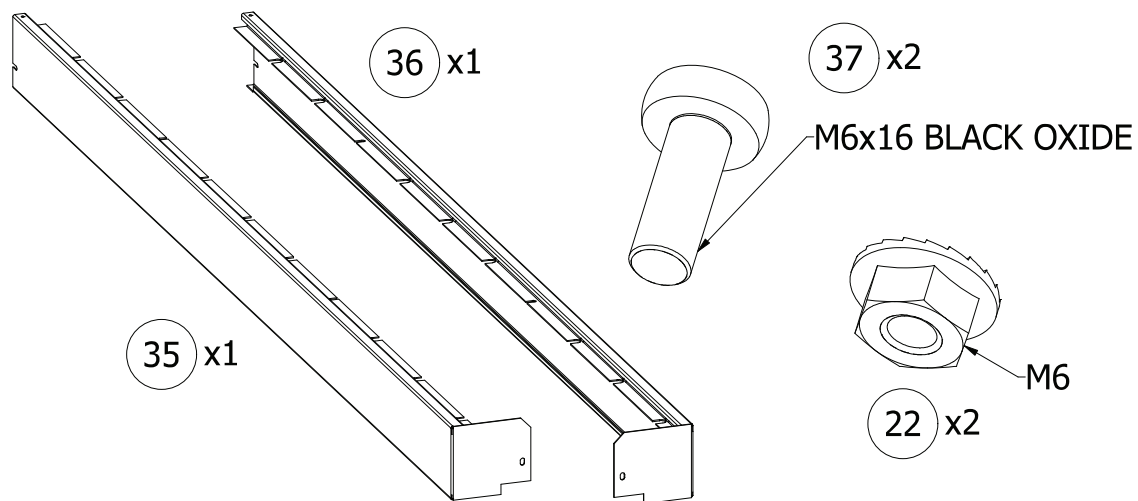
34



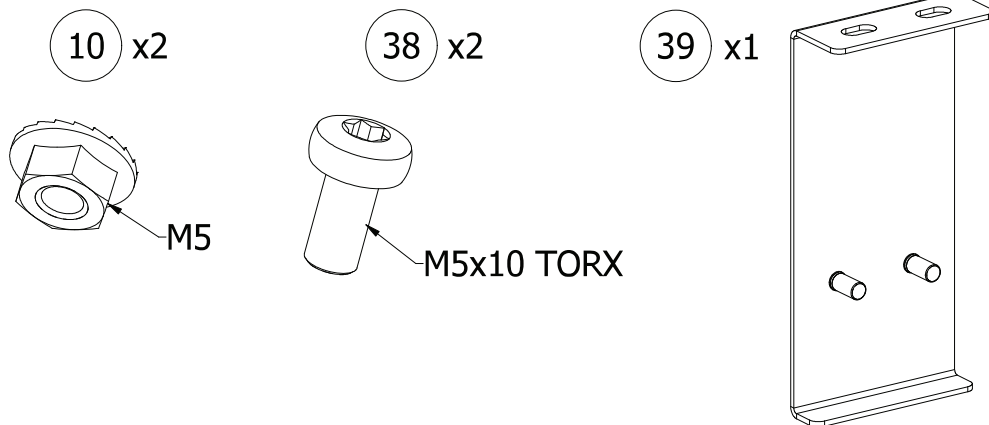
Step 10



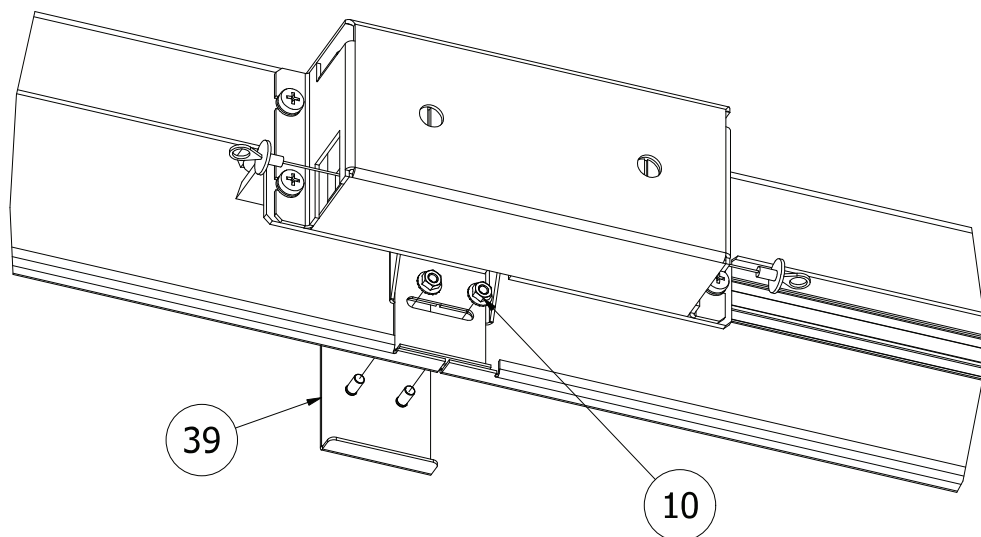
8848-01-XX
8848-20-XX
8848-30-XX
8848-45-XX



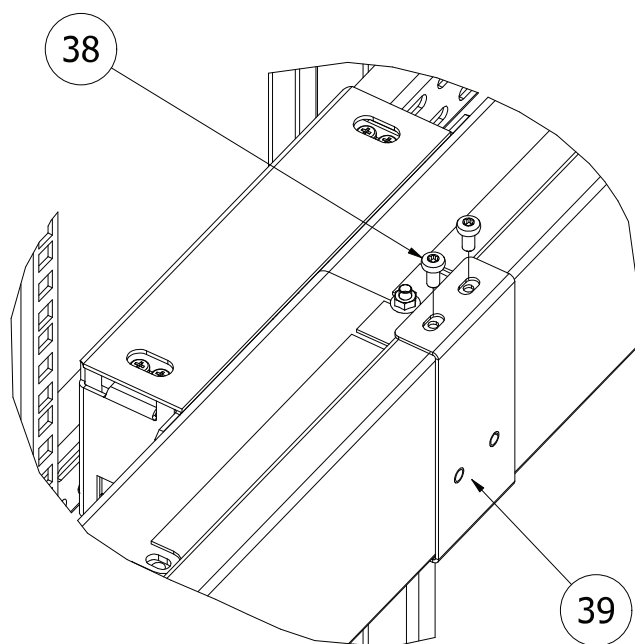
8848-01-XX
8848-20-XX
8848-30-XX
8848-45-XX



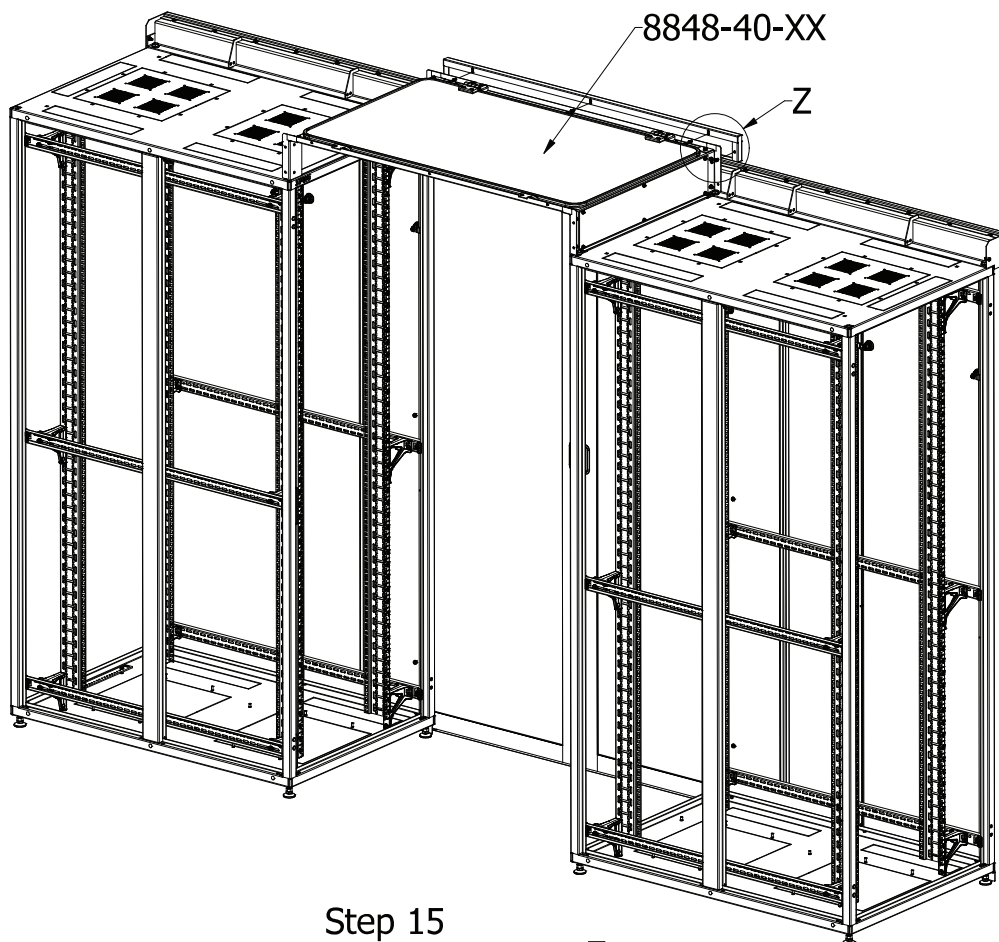
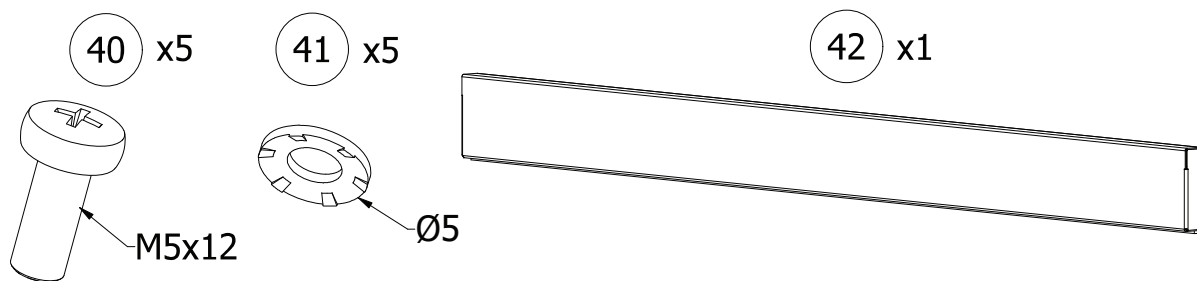
Step 13



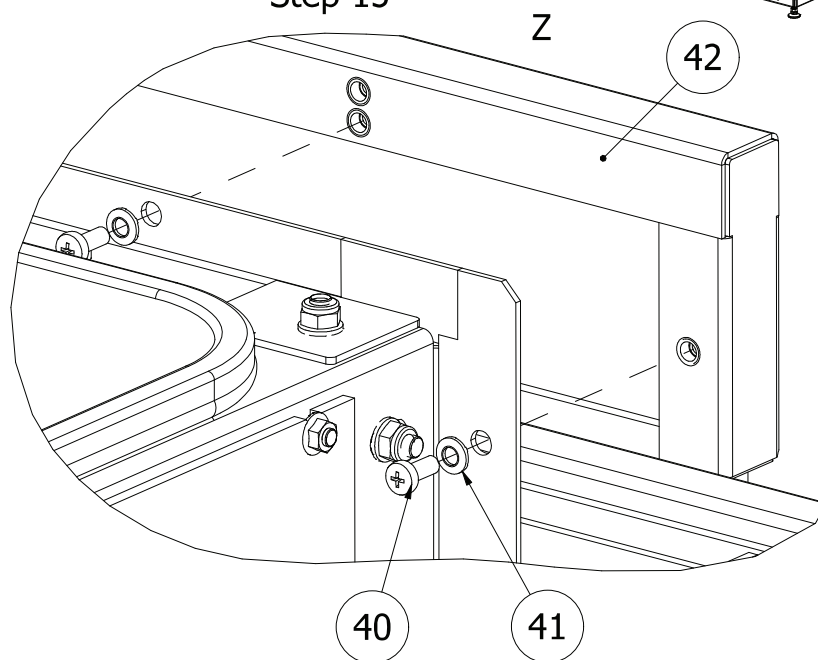
Step 14



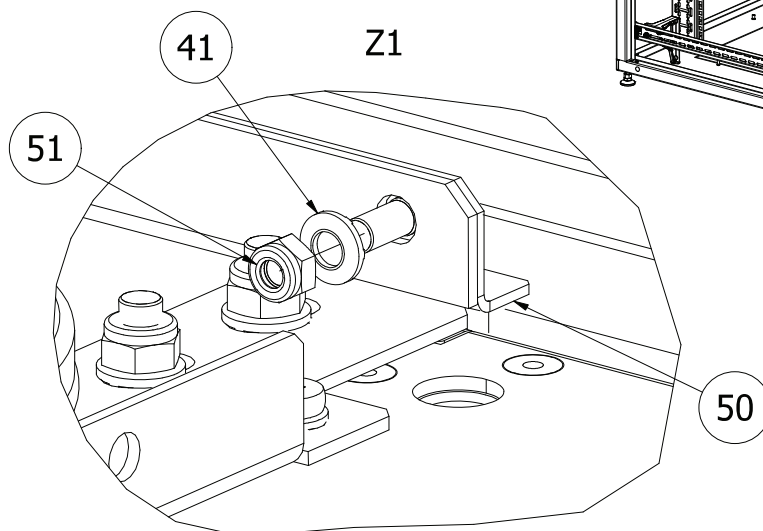
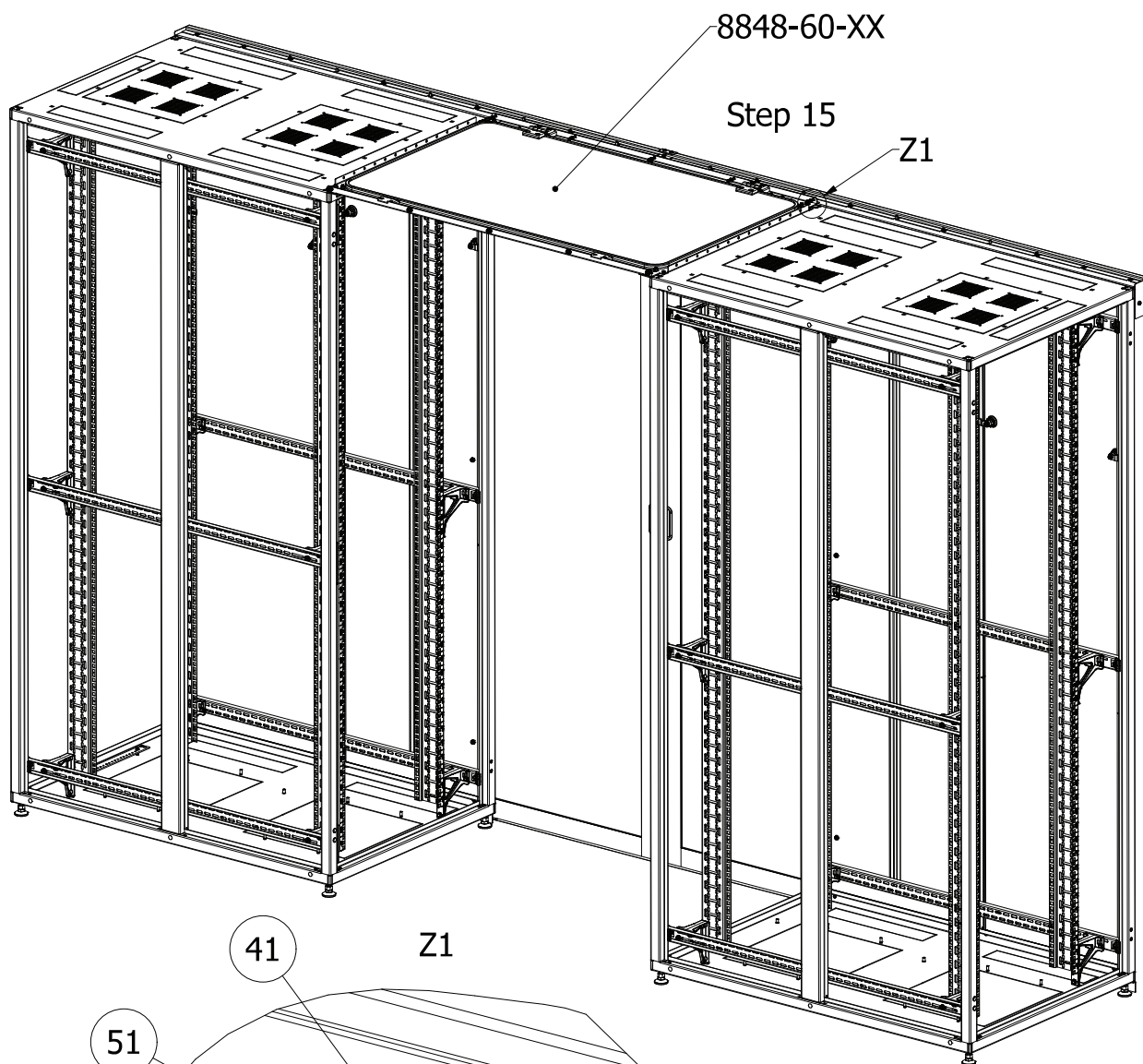
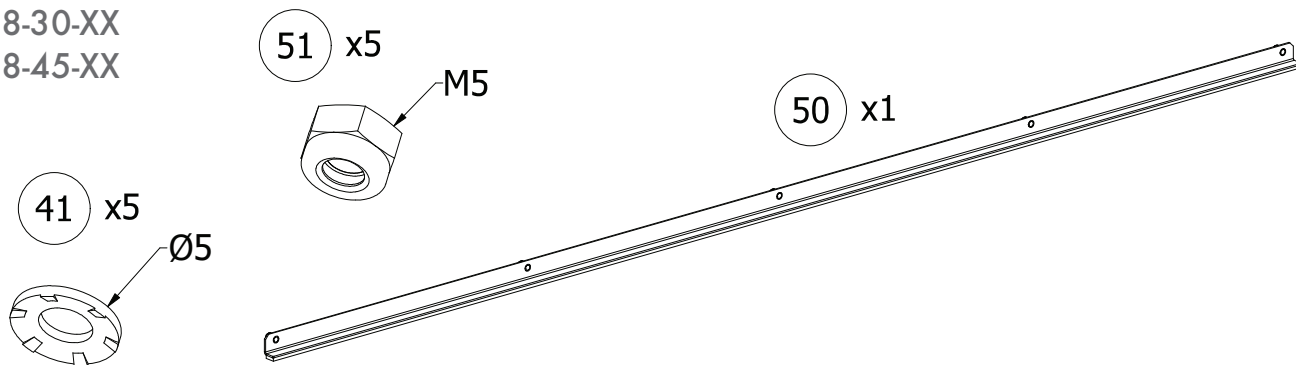
8848-01-XX
8848-20-XX



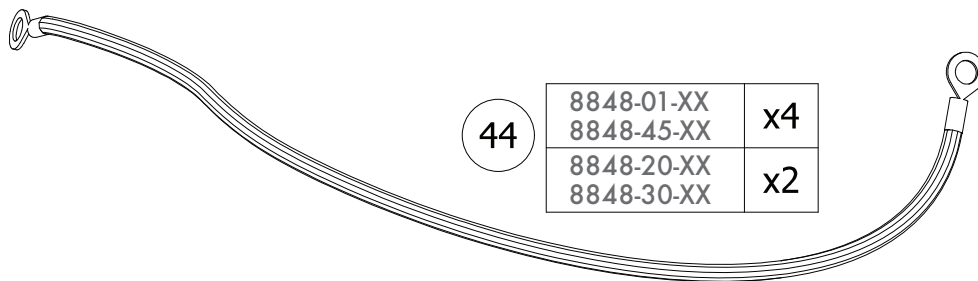
Step 15



8848-30-XX
8848-45-XX



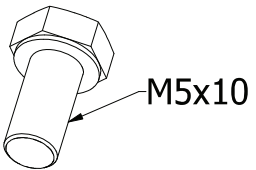
8848-01-XX
8848-20-XX
8848-30-XX
8848-45-XX



44	8848-01-XX	x4
	8848-45-XX	
	8848-20-XX	x2
	8848-30-XX	

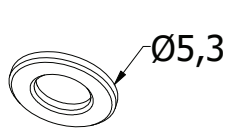
43

8848-01-XX	x4
8848-45-XX	
8848-20-XX	x2
8848-30-XX	



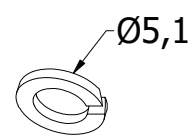
11

8848-01-XX	x8
8848-45-XX	
8848-20-XX	x4
8848-30-XX	



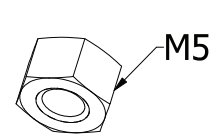
46

8848-01-XX	x8
8848-45-XX	
8848-20-XX	x4
8848-30-XX	



45

8848-01-XX	x4
8848-45-XX	
8848-20-XX	x2
8848-30-XX	



8848-01-XX	x4
8848-45-XX	
8848-20-XX	x2
8848-30-XX	

Step 16

